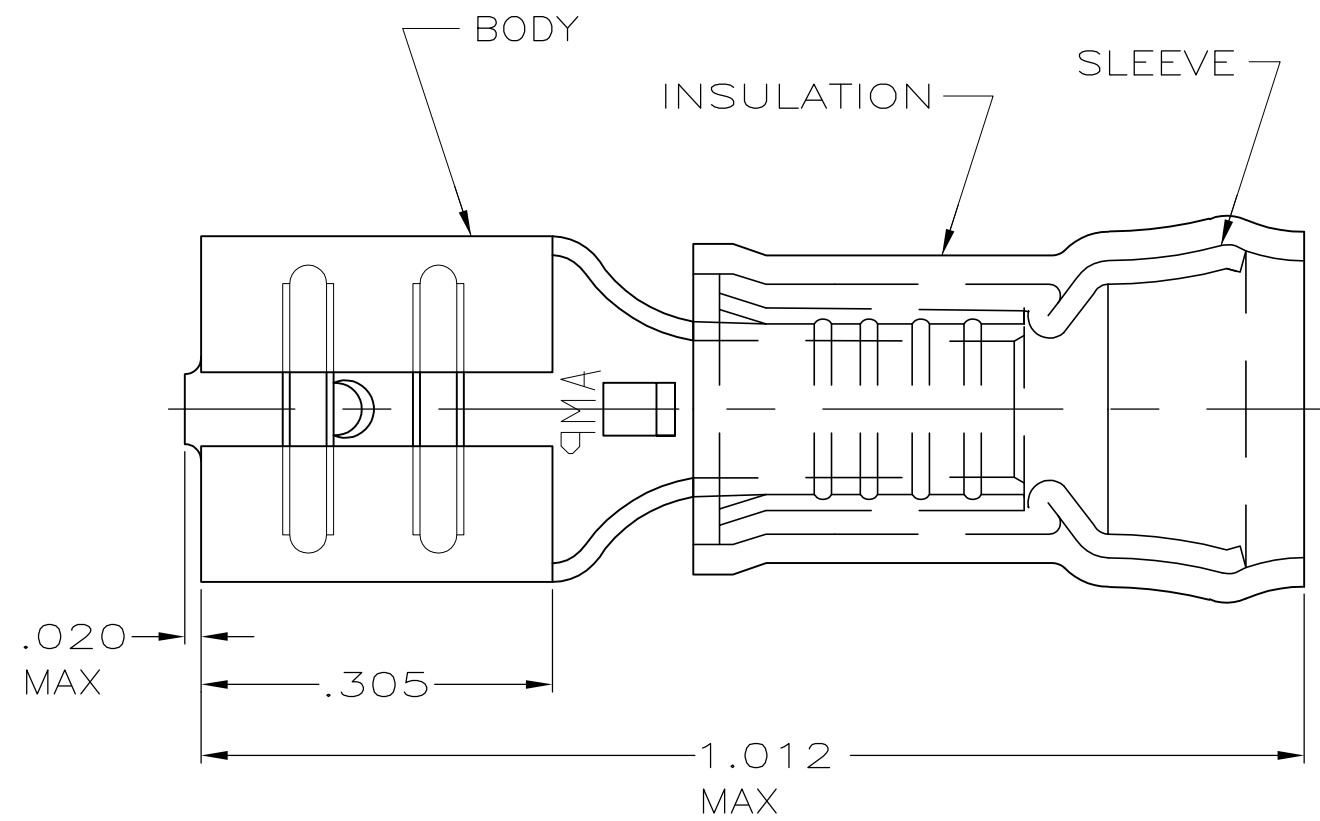


THIS DRAWING IS UNPUBLISHED. RELEASED FOR PUBLICATION  
 © COPYRIGHT - By - ALL RIGHTS RESERVED.

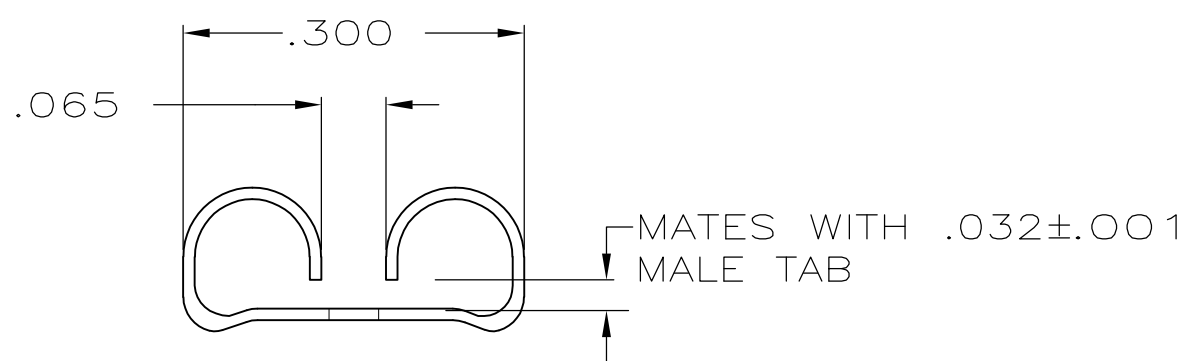
| LOC | DIST | REVISIONS |     |                           |         |     |      |
|-----|------|-----------|-----|---------------------------|---------|-----|------|
|     |      | P         | LTR | DESCRIPTION               | DATE    | DWN | APVD |
| G   | 14   |           | Z1  | REVISED PER ECO-11-004820 | 11MAR11 | RK  | HMR  |



- 1. FOR .250 MAX INSULATION DIA
- 2. MAX WIRE LIMITED TO 6,470 CMA

OBSOLETE

|                         |      |                 |           |
|-------------------------|------|-----------------|-----------|
| PHOS BRONZE<br>QQ-B-750 | 50   | LOOSE PIECE,BOX | 9-42844-2 |
| BRASS<br>MIL-C-50       | 100  | LOOSE PIECE,BOX | 8-42844-1 |
| BRASS<br>MIL-C-50       | 2500 | ON TAPE, REEL   | 42844-3   |
| PHOS BRONZE<br>QQ-B-750 | -    | LOOSE PIECE     | 42844-2   |
| BRASS<br>MIL-C-50       | -    | LOOSE PIECE     | 42844-1   |
| BODY MATERIAL           | QTY  | PACKAGE TYPE    | PART NO   |



AMP INCORPORATED  
 CUSTOMER SERVICE SYSTEM

FOR ADDITIONAL PRODUCT INFORMATION OR COPIES OF DRAWINGS AND TECHNICAL DOCUMENTS: PRODUCT INFORMATION CENTER 1-800-522-6752

FOR APPLICATION TOOLING INFORMATION: TOOLING ASSISTANCE CENTER 1-800-722-1111

FOR ORDER ENTRY: 1-800-526-5142

MAX RECOMMENDED OPERATING TEMPERATURE: -

VOLTAGE RATING: -

CIRCULAR MIL AREA: -

THIS DRAWING IS A CONTROLLED DOCUMENT.

DIMENSIONS: INCHES

TOLERANCES UNLESS OTHERWISE SPECIFIED:

|        |        |
|--------|--------|
| 0 PLC  | ± -    |
| 1 PLC  | ± -    |
| 2 PLC  | ± .015 |
| 3 PLC  | ± -    |
| 4 PLC  | ± -    |
| ANGLES | ± -    |

MATERIAL: BODY,SEE TABLE INSUL,NYLON,COLOR,GREEN

FINISH: BODY,TIN PLATE PER MIL-T-10727

DWN L OLMEDA 26JUN95

CHK M ELLIS 26JUN95

APVD B BARE 26JUN95

PRODUCT SPEC

APPLICATION SPEC

WEIGHT -

**STE** TE Connectivity

RECEPTACLE, 250 SERIES, FASTON™, PIDG™, WIRE SIZE, 14-12 AWG

SIZE: A3 CAGE CODE: 00779 DRAWING NO: C-42844 RESTRICTED TO: -

CUSTOMER DRAWING SCALE: 6:1 SHEET: 1 OF 1 REV: Z1